

Switching Power Supplies

PS5R-V



Suitable for global and semiconductor applications

Meets SEMI F47 Sag Immunity

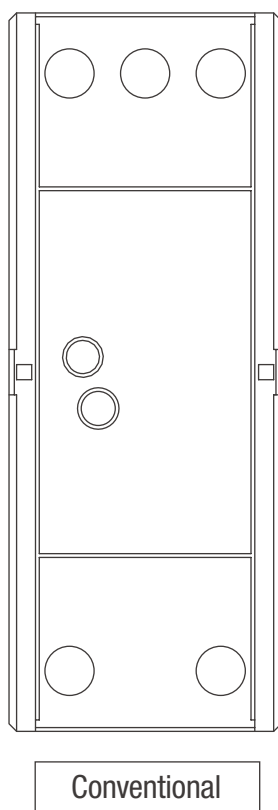
Voltage sag ride-through capabilities for semiconductor process equipment, metering equipment and automatic test equipment. (approved at 208V AC input)

Space-saving DIN-rail switching power supplies.



• See website for details on approvals and standards.

	Part No.	Input Voltage	Output Capacity	Output Voltage / Output Current
	PS5R-VB05	100 to 240V AC (Voltage range: 85 to 264V AC / 100 to 370V DC)	10W	5V/2.0A
	PS5R-VB12		15W	12V/1.3A
	PS5R-VB24			24V/0.65A
	PS5R-VC12		30W	12V/2.5A
	PS5R-VC24			24V/1.3A
	PS5R-VD24		60W	24V/2.5A
	PS5R-VE24		90W	24V/3.75A
	PS5R-VF24		120W	24V/5.0A
	PS5R-VG24		240W	24V/10.0A



Conventional



Volume:
Approx. **50% less**^{*2}

Width:
Approx. **50% less**^{*2}



Reduced installation space

- Required space between the switching power supplies reduced to half
- Size is reduced to the smaller output capacity (30W/90W/120W)^{*1}

Reduced wiring & flexible installation

- Less wiring required
- Can be installed in six directions

Improved reliability

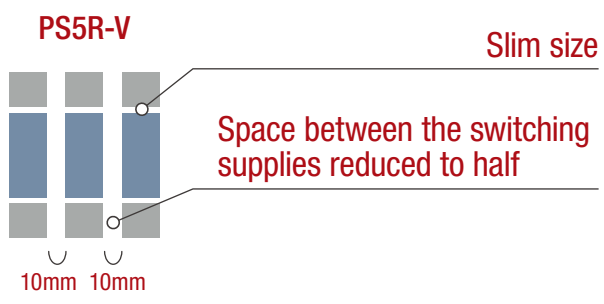
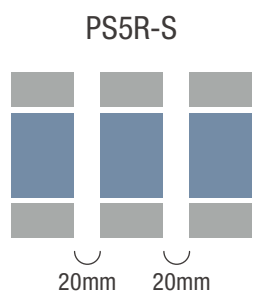
- Five-year warranty
- Operating temperature -25 to +75°C

^{*1} Compared with conventional PS5R-S model.
^{*2} Compared with conventional PS5R-S output capacity 30W model.

- APEM
- Switches & Pilot Lights
- Control Boxes
- Emergency Stop Switches
- Enabling Switches
- Safety Products
- Explosion Proof
- Terminal Blocks
- Relays & Sockets
- Circuit Protectors
- Power Supplies**
- LED Illumination
- Controllers
- Operator Interfaces
- Sensors
- AUTO-ID

- PS5R-V**
- PS6R

Reduces installation space inside the panel



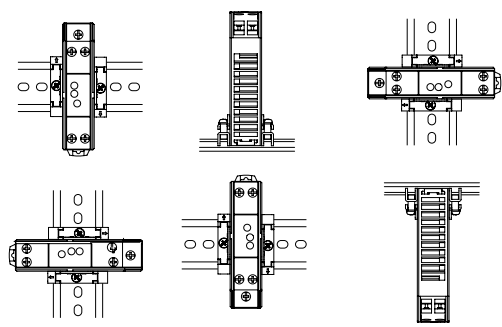
Reduced wiring & flexible installation

Reduced wiring



Spring-up terminals accepts wiring of ring terminals. No need to worry about loosening screws.

Six mounting directions



PS5R-V Switching Power Supplies

Space-saving DIN-rail switching power supplies

PS5R-V

Package Quantity: 1

Shape				
Output Capacity	Part No.	Input Voltage	Output Voltage	Output Current
10W	PS5R-VB05	100 to 240V AC (Voltage range: 85 to 264V AC / 100 to 370V DC)	5V	2.0 A
15W	PS5R-VB12		12V	1.3 A
	PS5R-VB24		24V	0.65A
30W	PS5R-VC12		12V	2.5 A
	PS5R-VC24		24V	1.3 A
60W	PS5R-VD24		24V	2.5 A
90W	PS5R-VE24		24V	3.75A
120W	PS5R-VF24		24V	5.0 A
240W	PS5R-VG24		24V	10.0 A

DIN Rail (35mm-wide)

Length	Part No.	Material	Weight	Package Quantity	Remarks
1,000mm	BAA1000PN10	Aluminum	200g	10	See H-071 for DIN rail products.

End Clip

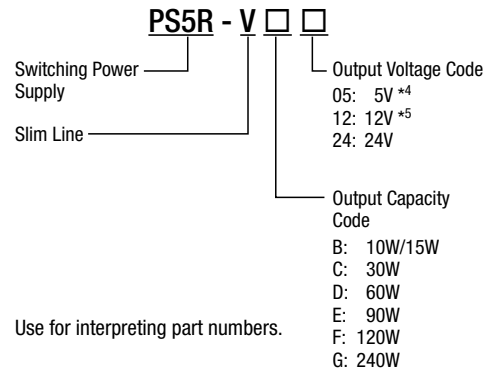
Part No.	Package Quantity	Remarks
BNL6PN10	10	Applicable rail: BAA Weight: approx.15g

Panel Mounting Bracket *1

Applicable Switching Power Supply	Ordering No.	Remarks
PS5R-VB	PS9Z-5R1B	—
PS5R-VC	PS9Z-5R2B	For side mounting
PS5R-VD	PS9Z-5R1C	—
PS5R-VF	PS9Z-5R1E	—
PS5R-VG	PS9Z-6R1F	—
	PS9Z-6R2F	For side mounting

*1: Used for direct panel mounting.

Part No. Development



*4: PS5R-VB only

*5: PS5R-VB/VC only

Specifications

Part No.		(10W/15W) PS5R-VB05 PS5R-VB12 PS5R-VB24	(30W) PS5R-VC12 PS5R-VC24	(60W) PS5R-VD24	(90W) PS5R-VE24	(120W) PS5R-VF24	(240W) PS5R-VG24
Rated Input Voltage (Single-phase two-wire)(*1,*2)		100 to 240V AC (Voltage range: 85 to 264V AC/100 to 370V DC) (Load ≤ 80% at 100-105V DC)					
Frequency		50/60 Hz					
Input Current (Typ.)	100V AC	5V: 0.25A 12V, 24V: 0.35A	0.7A	1.3A	1.1A	1.4A	2.7A
	230V AC	5V: 0.14A 12V, 24V: 0.19A	0.3A	0.8A	0.6A	0.7A	1.2A
Inrush Current (Typ.)	100V AC	18A (Ta = 25°C, cold start)					14A max. (Ta = 25°C, cold start)
	230V AC	45A (Ta = 25°C, cold start)					30A max. (Ta = 25°C, cold start)
Leakage Current	120V AC	0.5 mA max.					
	230V AC	1.0 mA max.					
Efficiency (Typ.) (at rated output) (*3)	100V AC	5V: 77%, 12V: 82%, 24V: 84%	12V: 83%, 24V: 85%	86%	88%	89%	
	230V AC	5V: 73%, 12V: 80%, 24V: 81%	12V: 85%, 24V: 87%	86%	89%	90%	
Power Factor (Typ.)	100V AC	—		—	0.99		
	230V AC	—		—	0.86	0.92	0.96
Rated Voltage/Current		5V/2.0A (*4), 12V/1.3A, 24V/0.65A	12V/2.5A, 24V/1.3A	24V/2.5A	24V/3.75A	24V/5A	24V/10A
Adjustable Voltage Range		±10%			±5%	±10%	
Output Holding Time (Typ.) (at rated output)	100V AC	5V: 53ms 12V: 34ms 24V: 36ms	12V: 13ms 24V: 15ms	13ms	20ms	30ms	30ms
	230V AC	5V: 330ms 12V: 215ms 24V: 230ms	12V: 110ms 24V: 110ms	105ms	30ms	33ms	40ms
Start Time (at rated input and output)		500 ms max.		600 ms max.	800 ms max.	700 ms max.	800 ms max.
Rise Time (at rated input and output)		5V, 12V: 200ms max. 24V: 250ms max.		200ms max.			
Input Fluctuation		0.4% max.					
Load Fluctuation		5V: 2.5% max. 12V, 24V: 1.0% max.	1.0% max.				
Temperature Change		0.05%/°C max. (-10 to +65°C)	12V: 0.05%/°C max. (-10 to +50°C) 24V: 0.05%/°C max. (-10 to +55°C)	0.05%/°C max. (-10 to +55°C)		0.05%/°C max. (-25 to +55°C)	
Regulation Ripple (including noise)	5V: 8% p-p max. (-25 to -10°C) 12V: 6% p-p max. (-25 to -10°C) 24V: 4% p-p max. (-25 to -10°C)		12V: 6% p-p max. (-25 to -10°C) 24V: 4% p-p max. (-25 to -10°C)		4% p-p max. (-25 to -10°C)		4% p-p max. (-25 to -10°C)
	5V: 5% p-p max. (-10 to +0°C) 12V: 2.5% p-p max. (-10 to +0°C) 24V: 1.5% p-p max. (-10 to +0°C)		12V: 2.5% p-p max. (-10 to +0°C) 24V: 1.5% p-p max. (-10 to +0°C)		1.5% p-p max. (-10 to +0°C)		1.5% p-p max. (-10 to +0°C)
	5V: 2.5% p-p max. (0 to +65°C) 12V: 1.5% p-p max. (0 to +65°C) 24V: 1% p-p max. (0 to +65°C)		12V: 1.5% p-p max. (0 to +50°C) 24V: 1% p-p max. (0 to +55°C)		1% p-p max. (0 to +55°C)		1% p-p max. (0 to +55°C)
Supple- mentary Functions	Overcurrent Protection	105% min. (auto reset)			101% min. (auto reset)	105% min. (auto reset)	
	Operation Indicator	LED (green)					
Dielectric Strength		Between input and output terminals: 3,000V AC, 1 minute Between input and ground terminals: 2,000V AC, 1 minute Between output and ground terminal: 500V AC, 1 minute					
Insulation Resistance		Between input and output terminals: 100MΩ min. (500V DC megger), Between input and ground terminal: 100MΩ min. (500V DC megger)					
Operating Temperature (*2)		-25 to +75°C (no freezing)	-25 to +70°C (no freezing)	-25 to +65°C (no freezing)			
Operating Humidity		20 to 90% RH (no condensation)					
Storage Temperature		-25 to +75°C (no freezing)					
Storage Humidity		20 to 90% RH (no condensation)					
Vibration Resistance		10 to 55 Hz, amplitude 0.375mm, 2 hours each in 3 axes (when used with part no. BNL6 mounting clips)		10 to 55 Hz, amplitude 0.33mm, 2 hours each in 3 axes (when used with part no. BNL6 mounting clips) 10 to 55 Hz, amplitude 0.375mm, 2 hours each in 3 axes (when used with part no. BNL8 mounting clips)		10 to 55 Hz, amplitude 0.21mm, 2 hours each in 3 axes (when used with part no. BNL6 mounting clips) 10 to 55 Hz, amplitude 0.375mm, 2 hours each in 3 axes (when used with part no. BNL6 mounting clips)	
Shock Resistance		300 m/s ² , 3 times each in 6 directions					
EMC	EMI	EN61204-3 (Class B)					
	EMS	EN61204-3 (industrial)					
Safety Standards		UL508 (Listing), UL1310 Class 2, ANSI/ISA-12.12.01, CSA C22.2 No. 107.1, 213, 223 EN60950-1, EN62368-1, EN50178, EN62477-1, SELV (UL60950-1, EN60950-1, EN62368-1)			UL508 (Listing), ANSI/ISA-12.12.01, CSA C22.2 No. 107.1, 213, EN60950-1, EN62368-1, EN50178, EN62477-1, SELV (EN60950-1, EN62368-1)		
Other Standard		SEMI F47 (at 208V AC input only)					
Degree of Protection		IP20 (EN60529)					
Dimensions (mm)		90H × 22.5W × 95D		95H × 36W × 108D		115H × 46W × 121D	125H × 60W × 125D
Weight (approx.)		140g	150g	260g	310g	470g	960g
Terminal Screw		M3.5					

At normal temperature and humidity unless otherwise specified.

*1: DC input voltage is not subject to safety standards. When using on DC input, connect a fuse to the input terminal for DC input protection.

*2: See the output derating curves on J-008. *3: Under stable state.

*4: PS5R-VB05 (5V DC/2.0A) is 10W (Up to 3.0A at Ta = 0 to 40°C. Not subject to safety standards at 2.0A and over.)

Reference Value

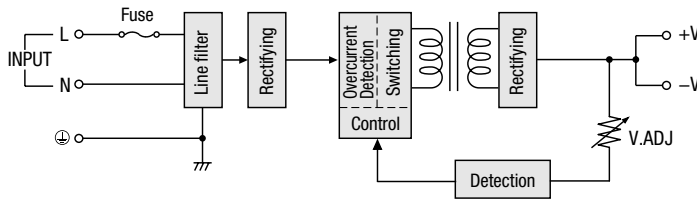
Expected Life (*5)	8 years minimum (at the rated input, 50% load, operating temperature +40°C, standard mounting direction)
--------------------	--

*5: Calculation of the expected life is based on the actual life of the aluminum electrolytic capacitor. The expected life depends on operating conditions.

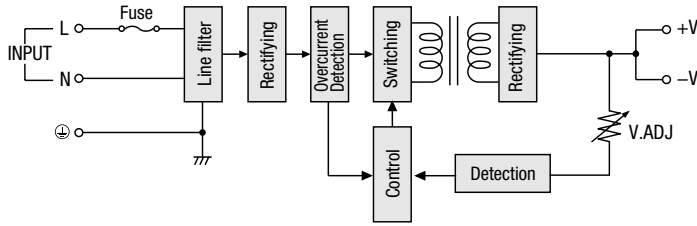
PS5R-V Switching Power Supplies

Block Diagrams

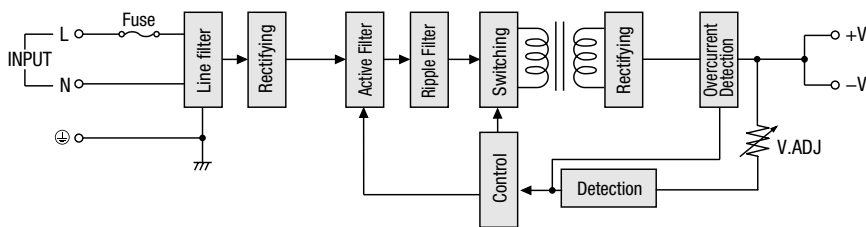
PS5R-VB



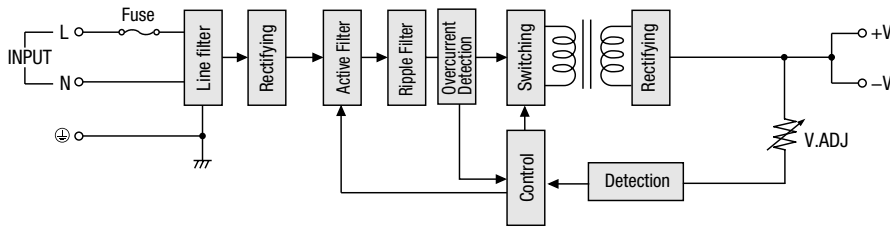
PS5R-VC/PS5R-VD



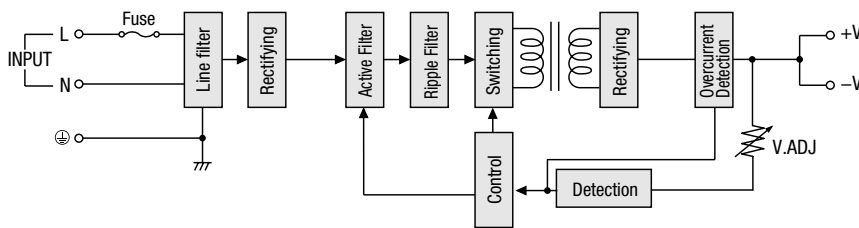
PS5R-VE24



PS5R-VF24



PS5R-VG24



APEM

Switches & Pilot Lights

Control Boxes

Emergency Stop Switches

Enabling Switches

Safety Products

Explosion Proof

Terminal Blocks

Relays & Sockets

Circuit Protectors

Power Supplies

LED Illumination

Controllers

Operator Interfaces

Sensors

AUTO-ID

PS5R-V

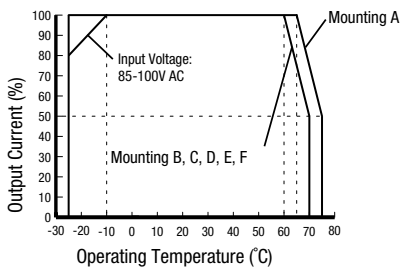
PS6R

Characteristics

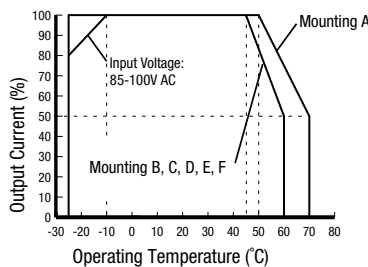
Operating Temperature vs. Output Current (Derating Curves)

Conditions: Natural air cooling (Operating temperature is the temperature around the switching power supply.)

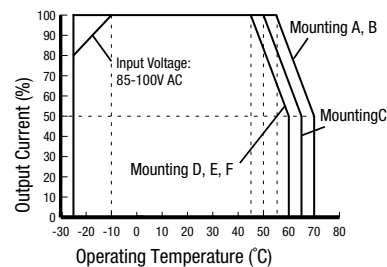
PS5R-VB05, -VB12, -VB24



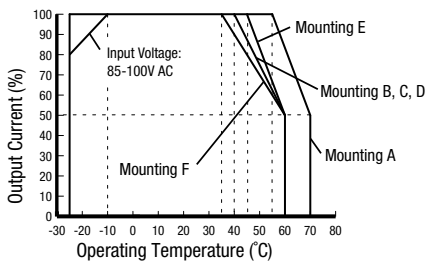
PS5R-VC12



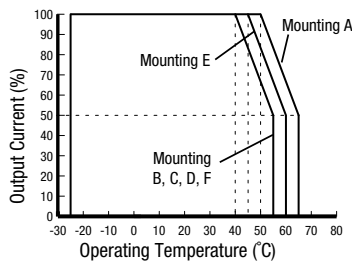
PS5R-VC24



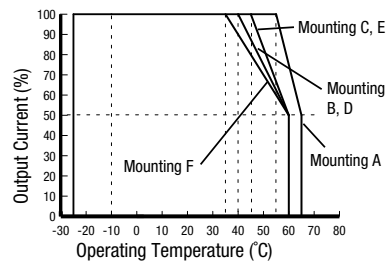
PS5R-VD24



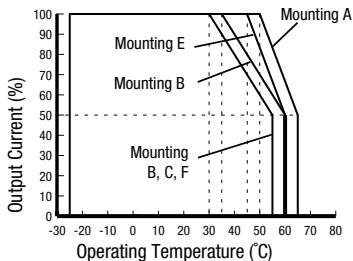
PS5R-VE24



PS5R-VF24



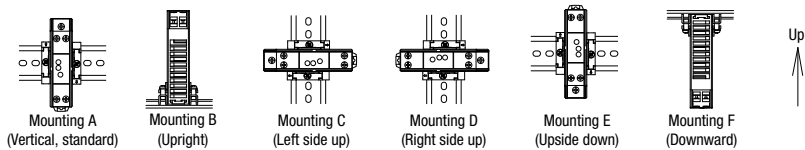
PS5R-VG24



Operating Temperature Approved by Safety Standards (°C)

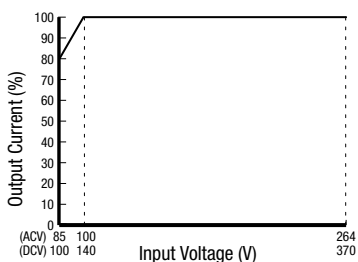
Part No.	UL508, CSA C22.2 No.107.1, ANSI/ISA12.12.01, EN60950-1, EN62368-1, EN50178, EN62477-1					
	Mounting A	Mounting B	Mounting C	Mounting D	Mounting E	Mounting F
PS5R-VB05, -VB12, -VB24	65	60	60	60	60	60
PS5R-VC12	50	45	45	45	45	45
PS5R-VC24	55	55	50	45	45	45
PS5R-VD24	55	40	40	40	45	35
PS5R-VE24	50	40	40	40	45	40
PS5R-VF24	55	40	45	40	45	35
PS5R-VG24	50	35	30	30	45	30

Mounting Style



Output Current vs. Input Voltage (derating curves)

PS5R-VG24



- APEM
- Switches & Pilot Lights
- Control Boxes
- Emergency Stop Switches
- Enabling Switches
- Safety Products
- Explosion Proof
- Terminal Blocks
- Relays & Sockets
- Circuit Protectors
- Power Supplies
- LED Illumination
- Controllers
- Operator Interfaces
- Sensors
- AUTO-ID

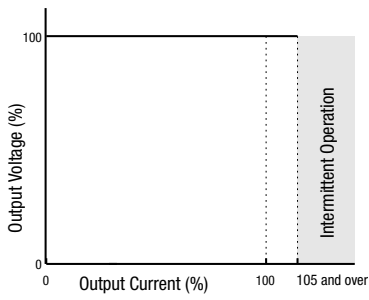
PS5R-V

PS6R

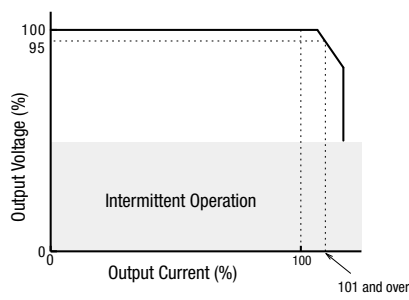
PS5R-V Switching Power Supplies

Overcurrent Protection Characteristics

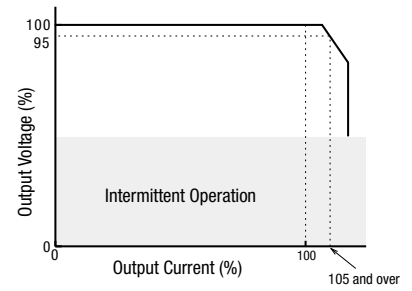
PS5R-VB/VC/VD/VE



PS5R-VE24

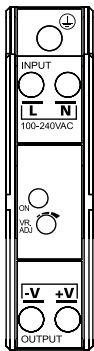


PS5R-VG24

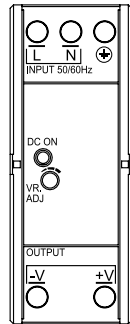


Parts Description

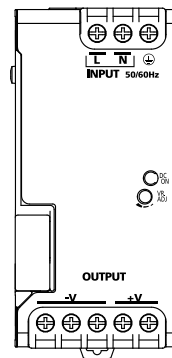
PS5R-VB/VC



PS5R-VD/VE/VE



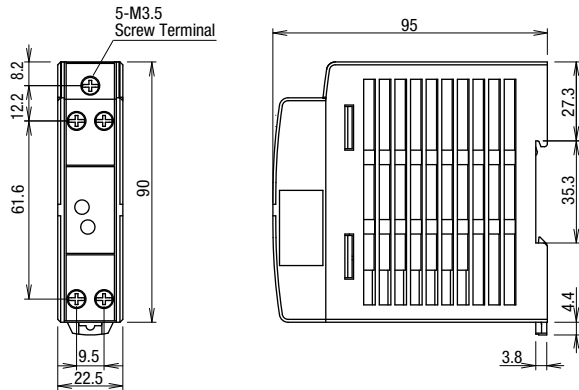
PS5R-VG



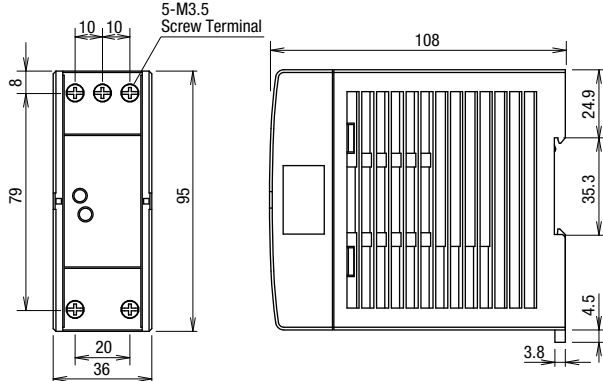
Marking	Name	Description
L, N	AC Input Terminal	Voltage range: 85 to 264V AC/100 to 370V DC
⊕	Ground Terminal	Be sure to connect this terminal to a proper ground.
+V, -V	DC Output Terminals	+V: Positive output terminal -V: Negative output terminal
VR.ADJ	Output Voltage Adjustment	Turning clockwise increases the output voltage. Turning counterclockwise decreases the output voltage.
DC ON	Operation Indicator (green)	Lights when the output voltage is on.

Dimensions

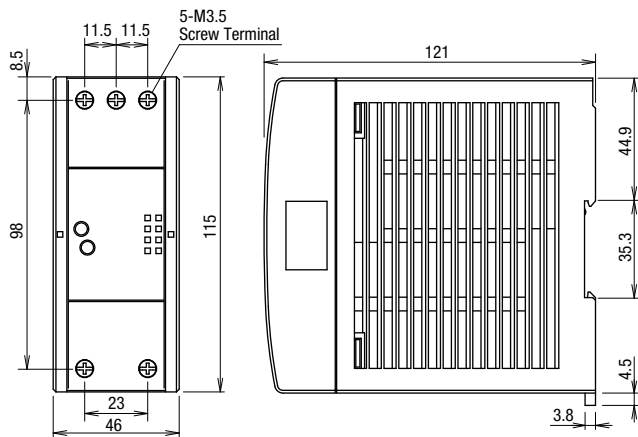
PS5R-VB/VC



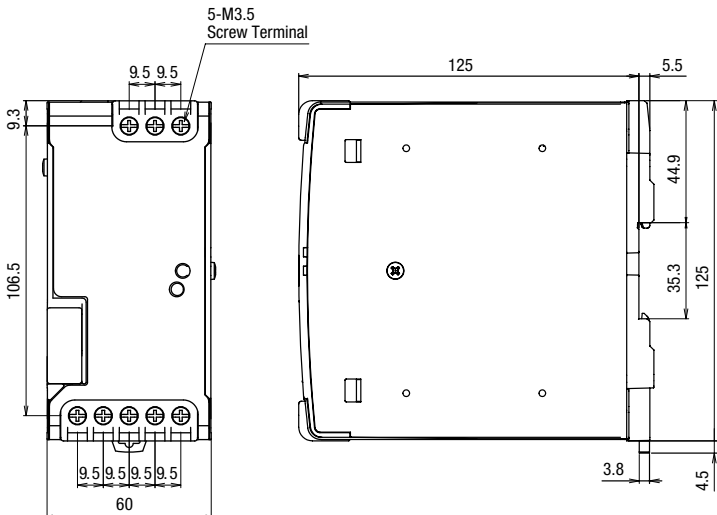
PS5R-VD/VE



PS5R-VF



PS5R-VG



All dimensions in mm. Tolerance: ±1mm

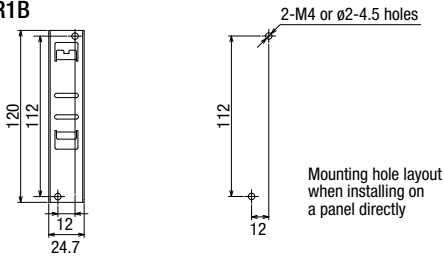
- APEM
- Switches & Pilot Lights
- Control Boxes
- Emergency Stop Switches
- Enabling Switches
- Safety Products
- Explosion Proof
- Terminal Blocks
- Relays & Sockets
- Circuit Protectors
- Power Supplies**
- LED Illumination
- Controllers
- Operator Interfaces
- Sensors
- AUTO-ID

- PS5R-V**
- PS6R

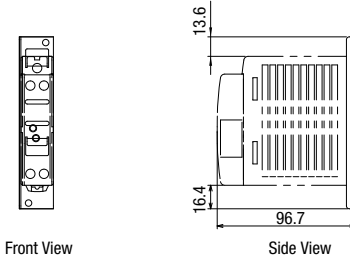
Dimensions

Panel Mounting Bracket

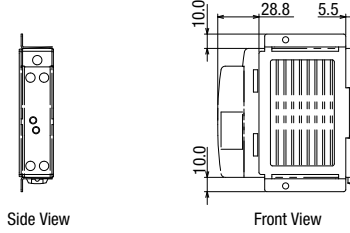
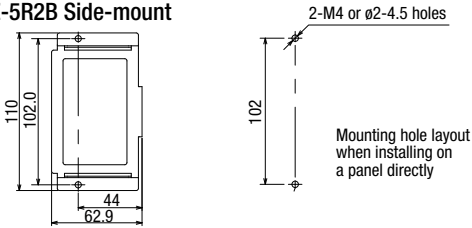
PS9Z-5R1B



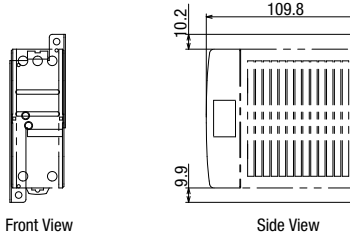
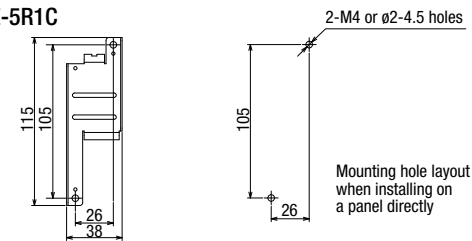
When installed on switching power supply



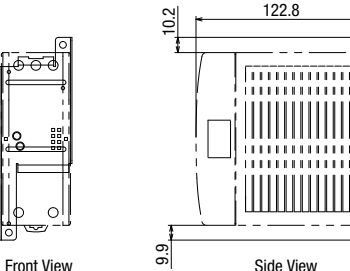
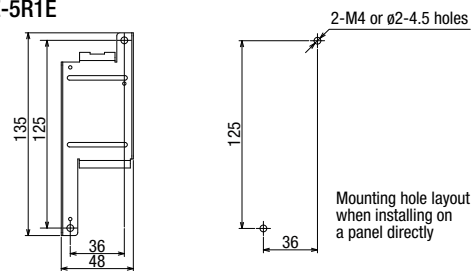
PS9Z-5R2B Side-mount



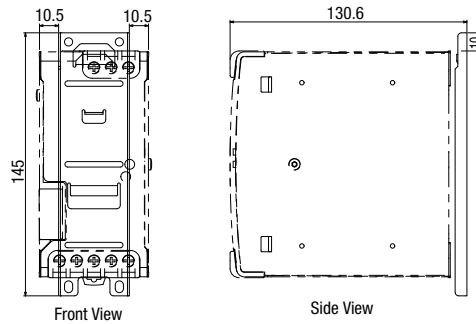
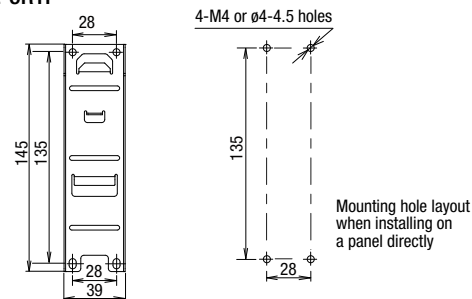
PS9Z-5R1C



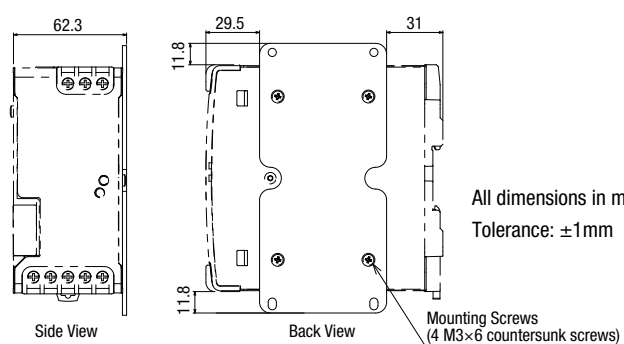
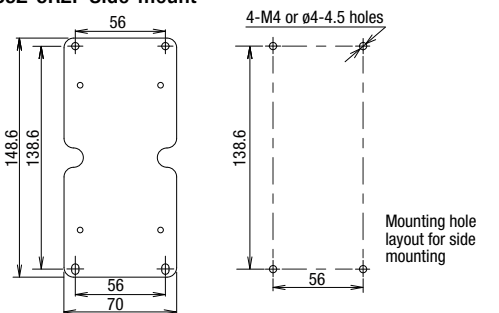
PS9Z-5R1E



PS9Z-6R1F



PS9Z-6R2F Side-mount



All dimensions in mm.
Tolerance: ±1mm

- APEM
- Switches & Pilot Lights
- Control Boxes
- Emergency Stop Switches
- Enabling Switches
- Safety Products
- Explosion Proof
- Terminal Blocks
- Relays & Sockets
- Circuit Protectors
- Power Supplies
- LED Illumination
- Controllers
- Operator Interfaces
- Sensors
- AUTO-ID
- PS5R-V
- PS6R

- APEM
- Switches & Pilot Lights
- Control Boxes
- Emergency Stop Switches
- Enabling Switches
- Safety Products
- Explosion Proof
- Terminal Blocks
- Relays & Sockets
- Circuit Protectors
- Power Supplies
- LED Illumination
- Controllers
- Operator Interfaces
- Sensors
- AUTO-ID

- PS5R-V
- PS6R

Safety Precautions

Mount the PS5R-V in an enclosure. Do not use the PS5R-V alone as an Electric Facilities for General Use.
Use the PS5R-V for electric facilities for business use only.

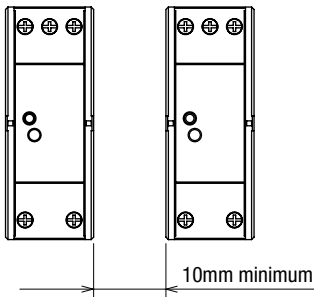
- Do not use switching power supplies with electric equipment whose malfunction or inadvertent operation may damage the human body or life directly.
- Make sure that the input voltage and output current do not exceed the ratings. If the input voltage and output current exceed the ratings, electric shock, fire, or malfunction may occur.
- Do not touch the terminals of the switching power supply while input voltage is applied, otherwise electric shock may occur.
- Provide the final product with protection against malfunction or damage that may be caused by malfunction of the switching power supply.

- Operating temperatures should not exceed the ratings. Be sure to note the derating characteristics. If the operating temperature exceeds the ratings, electric shock, fire, or malfunction may occur.
- Blown fuses indicate that the internal circuits are damaged. Contact IDEC for repair. Do not just replace the fuse and reoperate, otherwise electric shock, fire, or malfunction may occur.
- Do not use the switching power supplies to charge rechargeable batteries.
- Do not overload or short-circuit the switching power supply for a long period of time, otherwise the internal elements may be damaged.
- Do not disassemble, repair, or modify the power supplies, otherwise the high voltage internal part may cause electric shock, fire, or malfunction.
- The fuse inside the PS5R-V switching power supply is for AC input. Use a DC fuse for DC input.

Operating Instructions

Notes for installation

- Do not close the top and bottom openings of the PS5R-V to allow for heat radiation by convection.
- Maintain a minimum of 10 mm clearance around the PS5R-V, except for the top and bottom openings.
- When mounting multiple PS5R-V switching power supplies side by side, maintain a minimum of 10 mm clearance. Observe the derating curves in consideration of the ambient temperature.



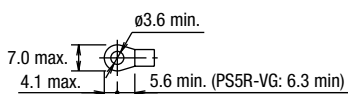
- When the derating voltage may exceed the recommended value, provide forced air-cooling.
- Make sure to wire the ground terminal correctly.
- For wiring, use wires of heat resistance of 60°C or higher (PS5R-VB: 80°C or higher). Use copper wire of the following sizes, according to the rated current.

Terminal	Wire Size (allowable current)	Wire Type
Input	AWG18 to 14	Copper Solid/Stranded
Output	AWG18 to 14 (AWG18: 7A, AWG16: 10A, AWG14: 15A)	

Cross-sectional area
AWG18: 0.82mm², AWG16: 1.31mm², AWG14: 2.0mm²

Note: Wires of the above size must be used to comply with UL508, CSA C22.2 No. 107.1.

Applicable crimp terminal (reference)



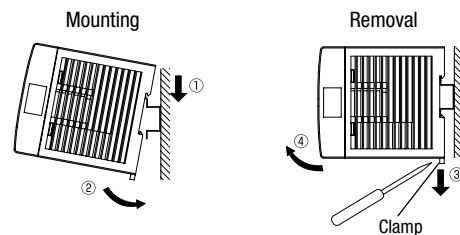
- Recommended tightening torque of the input and output terminals is 1.0 to 1.3 N·m (0.8 N·m for UL).

Mounting on DIN Rails

1. Use a 35mm-wide DIN rail.
2. Fasten the DIN rail to a mounting plate using screws.
3. Place the PS5R-V on the DIN rail as shown with input terminal side up (①), and press the PS5R-V towards the DIN rail (②). Make sure that the PS5R-V is installed firmly.
4. Use BNL6 mounting clips for fastening the PS5R-V on the DIN rail. Use of BNL8 mounting clips is recommended when excessive vibration or shock is anticipated. Do not use the PS5R-V when it is subject to vibration constantly.

Removal

- Insert a flat screwdriver into the slot in the clamp, and pull out the clamp until it clicks (③). The lock mechanism is released and the PS5R-V can be removed (④). When mounting the PS5R-V again, push in the latch first.

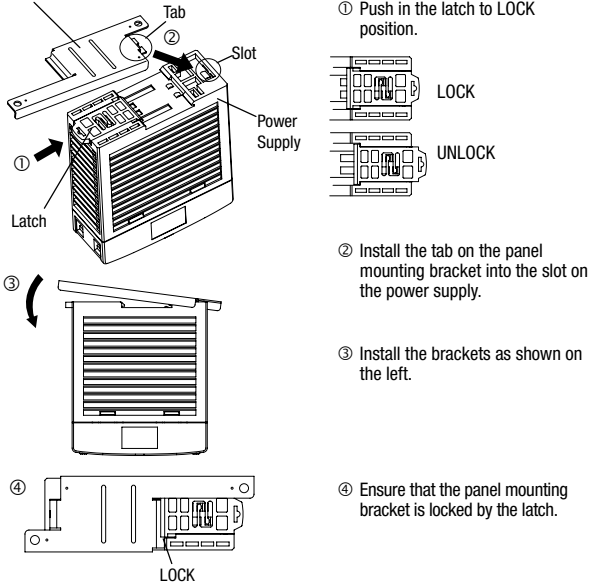


Operating Instructions

Installing the Panel Mounting Bracket

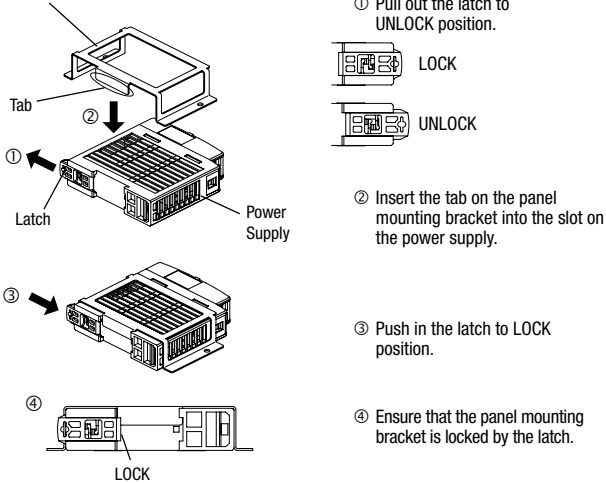
<Installing PS9Z-5R1□ Panel Mounting Bracket>

Panel Mounting Bracket (PS9Z-5R1□)



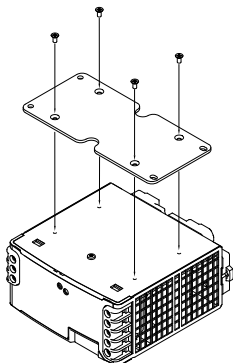
<Installing PS9Z-5R2B Panel Mounting Bracket>

Panel Mounting Bracket (PS9Z-5R2B)



Installing PS9Z-6R2F Side-mount Panel Mounting Bracket

Install the bracket on the switching power supply using four M3 × 6 countersunk screws supplied with the bracket.



Adjustment of Output Voltage

The output voltage can be adjusted within $\pm 10\%$ of the rated output voltage (PS5R-VE: $\pm 5\%$) by using the VR.ADJ control on the front. Turning the VR.ADJ clockwise increases the output voltage. Turning the VR.ADJ counterclockwise decreases the output voltage.

Overcurrent Protection

The output voltage drops automatically when an overcurrent flows due to an overload or short circuit. Normal voltage is automatically restored when the load returns to normal conditions.

Insulation/Dielectric Test

When performing an insulation/dielectric test, short-circuit the input (between L and N) and output (between +V and -V). Do not apply or interrupt the voltage quickly, otherwise surge voltages may be generated and the PS5R-V may be damaged.

Notes for Operation

- Output interruption may indicate blown fuses. Contact IDEC.
- The PS5R-V switching power supply contains an internal fuse for AC input. When using with DC input, install an external fuse for DC input. To avoid blown fuses, select a fuse in consideration of the rated current of the internal fuse.

Rated Current of Internal Fuses

Part No.	Internal Fuse Rated Current
PS5R-VB/VC	2A
PS5R-VD/VE/VF	4A
PS5R-VG	6.3A

- Avoid overload and short-circuit for a long period of time, otherwise the internal elements may be damaged.
- DC input operation is not subject to safety standards.

Rust and Scratches on Metal parts

Hot-dip galvanized steel and bonderized steel are used for the PS5R-V. Rust on the edge and scratches on the surfaces may be developed depending on the storage condition, but the performance of the PS5R-V is not affected.

Noise

Small acoustic noise inside the PS5R-V may be heard depending on the input voltage and load, but the performance of the PS5R-V is not affected.

APEM

Switches & Pilot Lights

Control Boxes

Emergency Stop Switches

Enabling Switches

Safety Products

Explosion Proof

Terminal Blocks

Relays & Sockets

Circuit Protectors

Power Supplies

LED Illumination

Controllers

Operator Interfaces

Sensors

AUTO-ID

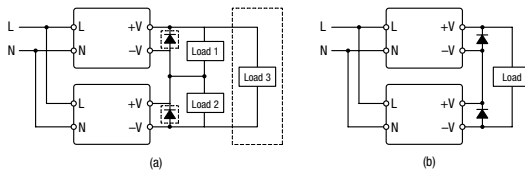
PS5R-V

PS6R

Operating Instructions

Series Operation

The following series operation is allowed. In (b) series operation, connect Schottky barrier diodes. Choose (a) series operation when using the PS5R-V as positive and negative output power supply. Insert a Schottky barrier diode for loads such as operational amplifier where outputs of two power supplies may be connected in series (Load 3). Select a Schottky diode in consideration of the rated current.

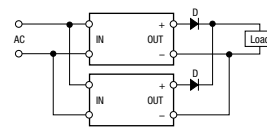


Parallel Operation

Parallel operation is not possible to increase the output capacity, because the internal elements and load may be damaged.

Backup Operation

Backup operation is a connection method of two switching power supplies in parallel for emergency. Normally one switching power supply has a sufficient output. If one switching power supply fails, another one operates to continue the output. Make sure that the sum of power consumption by load and diode is not greater than the rated wattage (rated voltage \times rated current) of one switching power supply.



Select a diode in consideration of:
Diode's current must be more than double the PS5R-V's output current.
Take heat dissipation into consideration.

Warranty

Warranty

IDEC warrants the PS5R-V switching power supplies for a period of five years from the date of shipment.

Scope

IDEC agrees to repair or replace the PS5R-V switching power supply if the product has been operated under the following conditions. The maximum value of output capacity is within the range shown in "Operating Temperature vs. Output Current" on **J-008**.

1. Average operating temperature (ambient temperature of switching power supply) is 40°C maximum.
2. The load is 80% maximum.
3. Input voltage is the rated input voltage.
4. Standard mounting style

IDEC shall not be liable for other damages including consequential, contingent or incidental damages. Warranty does not apply if the PS5R-V switching power supply was subject to:

1. Inappropriate handling, or operation beyond the specifications.
2. Modification or repair by other than IDEC.
3. Failure caused by other than the PS5R-V switching power supply.
4. Failure caused by natural disasters.

APEM

Switches & Pilot Lights

Control Boxes

Emergency Stop Switches

Enabling Switches

Safety Products

Explosion Proof

Terminal Blocks

Relays & Sockets

Circuit Protectors

Power Supplies

LED Illumination

Controllers

Operator Interfaces

Sensors

AUTO-ID

PS5R-V

PS6R

Ordering Terms and Conditions

Thank you for using IDEC Products.

By purchasing products listed in our catalogs, datasheets, and the like (hereinafter referred to as "Catalogs") you agree to be bound by these terms and conditions. Please read and agree to the terms and conditions before placing your order.

1. Notes on contents of Catalogs

- (1) Rated values, performance values, and specification values of IDEC products listed in this Catalog are values acquired under respective conditions in independent testing, and do not guarantee values gained in combined conditions.
Also, durability varies depending on the usage environment and usage conditions.
- (2) Reference data and reference values listed in Catalogs are for reference purposes only, and do not guarantee that the product will always operate appropriately in that range.
- (3) The specifications / appearance and accessories of IDEC products listed in Catalogs are subject to change or termination of sales without notice, for improvement or other reasons.
- (4) The content of Catalogs is subject to change without notice.

2. Note on applications

- (1) If using IDEC products in combination with other products, confirm the applicable laws / regulations and standards.
Also, confirm that IDEC products are compatible with your systems, machines, devices, and the like by using under the actual conditions. IDEC shall bear no liability whatsoever regarding the compatibility with IDEC products.
- (2) The usage examples and application examples listed in Catalogs are for reference purposes only. Therefore, when introducing a product, confirm the performance and safety of the instruments, devices, and the like before use. Furthermore, regarding these examples, IDEC does not grant license to use IDEC products to you, and IDEC offers no warranties regarding the ownership of intellectual property rights or non-infringement upon the intellectual property rights of third parties.
- (3) When using IDEC products, be cautious when implementing the following.
 - i. Use of IDEC products with sufficient allowance for rating and performance
 - ii. Safety design, including redundant design and malfunction prevention design that prevents other danger and damage even in the event that an IDEC product fails
 - iii. Wiring and installation that ensures the IDEC product used in your system, machine, device, or the like can perform and function according to its specifications
- (4) Continuing to use an IDEC product even after the performance has deteriorated can result in abnormal heat, smoke, fires, and the like due to insulation deterioration or the like. Perform periodic maintenance for IDEC products and the systems, machines, devices, and the like in which they are used.
- (5) IDEC products are developed and manufactured as general-purpose products for general industrial products. They are not intended for use in the following applications, and in the event that you use an IDEC product for these applications, unless otherwise agreed upon between you and IDEC, IDEC shall provide no guarantees whatsoever regarding IDEC products.
 - i. Use in applications that require a high degree of safety, including nuclear power control equipment, transportation equipment (railroads / airplanes / ships / vehicles / vehicle instruments, etc.), equipment for use in outer space, elevating equipment, medical instruments, safety devices, or any other equipment, instruments, or the like that could endanger life or human health
 - ii. Use in applications that require a high degree of reliability, such as provision systems for gas / waterworks / electricity, etc., systems that operate continuously for 24 hours, and settlement systems
 - iii. Use in applications where the product may be handled or used deviating from the specifications or conditions / environment listed in the Catalogs, such as equipment used outdoors or applications in environments subject to chemical pollution or electromagnetic interference
If you would like to use IDEC products in the above applications, be sure to consult with an IDEC sales representative.

3. Inspections

We ask that you implement inspections for IDEC products you purchase without delay, as well as thoroughly keep in mind management/maintenance regarding handling of the product before and during the inspection.

4. Warranty

- (1) Warranty period
The warranty period for IDEC products shall be one (1) year after purchase or delivery to the specified location. However, this shall not apply in cases where there is a different specification in the Catalogs or there is another agreement in place between you and IDEC.
- (2) Warranty scope
Should a failure occur in an IDEC product during the above warranty period for reasons attributable to IDEC, then IDEC shall replace or repair that product, free of charge, at the purchase location / delivery location of the product, or an IDEC service base. However, failures caused by the following reasons shall be deemed outside the scope of this warranty.
 - i. The product was handled or used deviating from the conditions / environment listed in the Catalogs
 - ii. The failure was caused by reasons other than an IDEC product
 - iii. Modification or repair was performed by a party other than IDEC
 - iv. The failure was caused by a software program of a party other than IDEC
 - v. The product was used outside of its original purpose
 - vi. Replacement of maintenance parts, installation of accessories, or the like was not performed properly in accordance with the user's manual and Catalogs
 - vii. The failure could not have been predicted with the scientific and technical standards at the time when the product was shipped from IDEC
 - viii. The failure was due to other causes not attributable to IDEC (including cases of force majeure such as natural disasters and other disasters)Furthermore, the warranty described here refers to a warranty on the IDEC product as a unit, and damages induced by the failure of an IDEC product are excluded from this warranty.

5. Limitation of liability

The warranty listed in this Agreement is the full and complete warranty for IDEC products, and IDEC shall bear no liability whatsoever regarding special damages, indirect damages, incidental damages, or passive damages that occurred due to an IDEC product.

6. Service scope

The prices of IDEC products do not include the cost of services, such as dispatching technicians. Therefore, separate fees are required in the following cases.

- (1) Instructions for installation / adjustment and accompaniment at test operation (including creating application software and testing operation, etc.)
- (2) Maintenance inspections, adjustments, and repairs
- (3) Technical instructions and technical training
- (4) Product tests or inspections specified by you

The above content assumes transactions and usage within your region. Please consult with an IDEC sales representative regarding transactions and usage outside of your region. Also, IDEC provides no guarantees whatsoever regarding IDEC products sold outside your region.

IDEC CORPORATION

Head Office 6-64, Nishi-Miyahara-2-Chome, Yodogawa-ku, Osaka 532-0004, Japan

 www.idec.com

USA IDEC Corporation
EMEA APEM SAS

Singapore IDEC Izumi Asia Pte. Ltd.
Thailand IDEC Asia (Thailand) Co., Ltd.
India IDEC Controls India Private Ltd.

China IDEC (Shanghai) Corporation
IDEC Izumi (H.K.) Co., Ltd.
Taiwan IDEC Taiwan Corporation

Japan IDEC Corporation

Specifications and other descriptions in this brochure are subject to change without notice.

2023 IDEC Corporation, All Rights Reserved.

